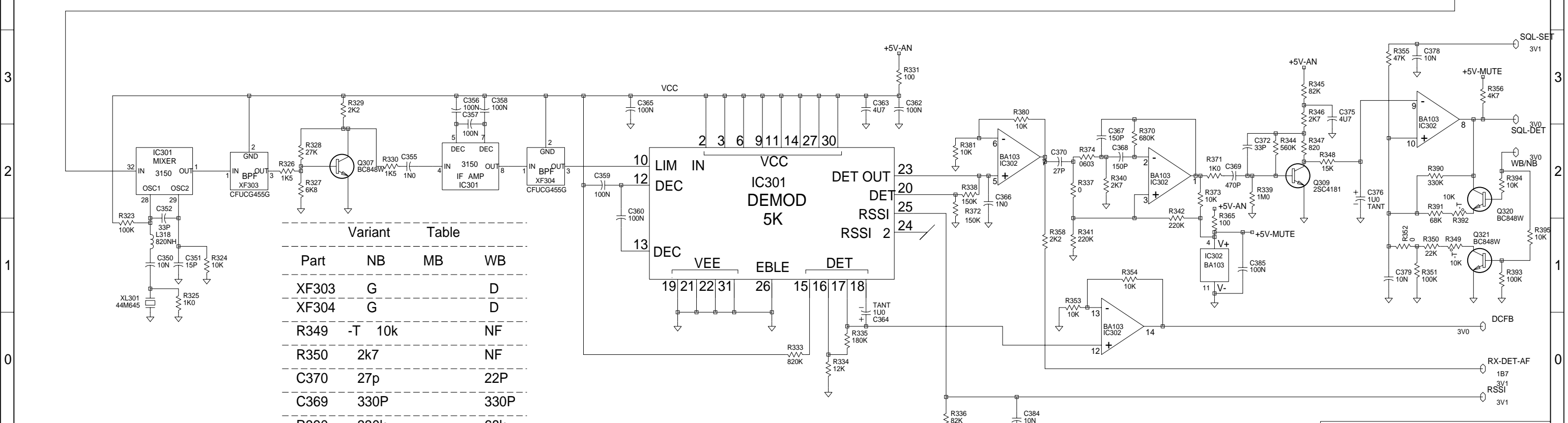
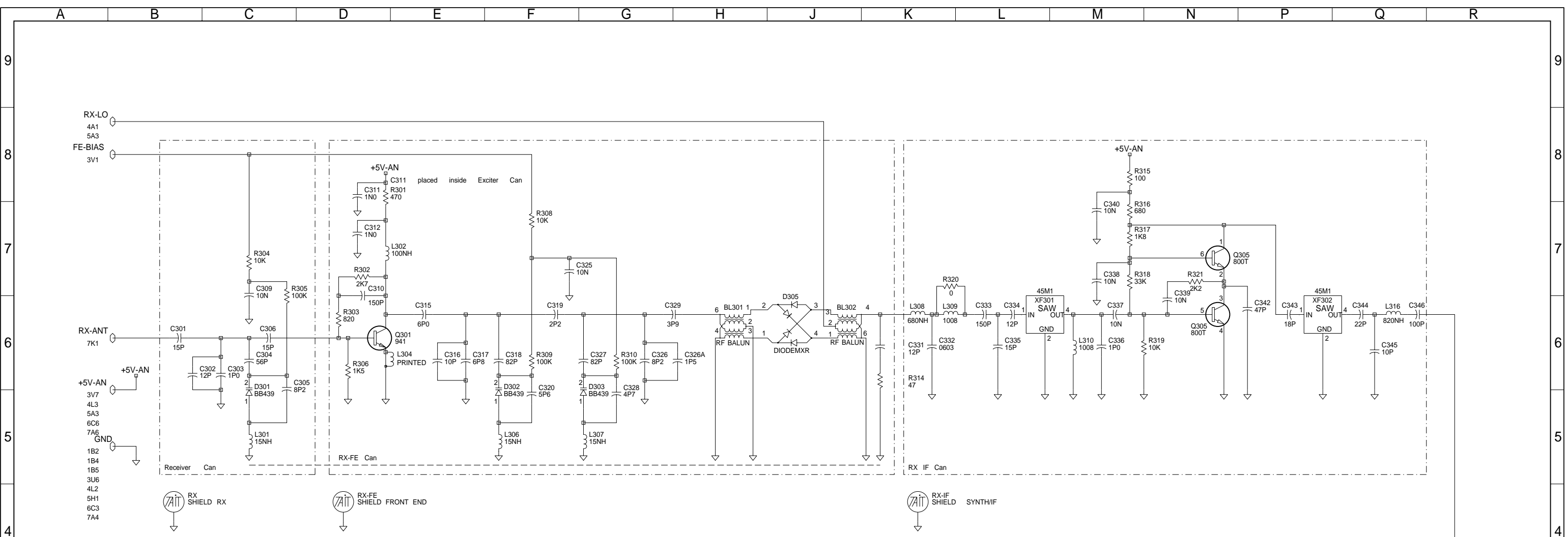


REV/ISS	AMENDMENTS	DRAWN	CHKD	D.O.	APVD	DATE
04B	D103 > MA4P1250. ECO NO 50-0411	TS				01-11-99
04A	CHANGES AS PER 1503/001	BRD				20/08/99
03B	ADJUSTED T-CU AS PER PENTEX	BRD				03-06-99
03A	UPDATE ALC AND AFC	BRD				17-05-99
02A	SEE NOTES FILE FOR CHANGES	BRD				10/02/99
08	UPDATED MUTE CIRCUITRY	DBH				



Sub UHF

© TAIT ELECTRONICS	
ORCA :TP10- 336-400MHZ SYSTEM DIAGRAM	
IPN: 220-01503-04	ISSUE: B 2.SC. 1
PROJECT: ORCA	DESIGNER: BRD/TS
FILE NAME: 150304b	FILE DATE: 1-Nov-99
NO.SHEETS: 7	

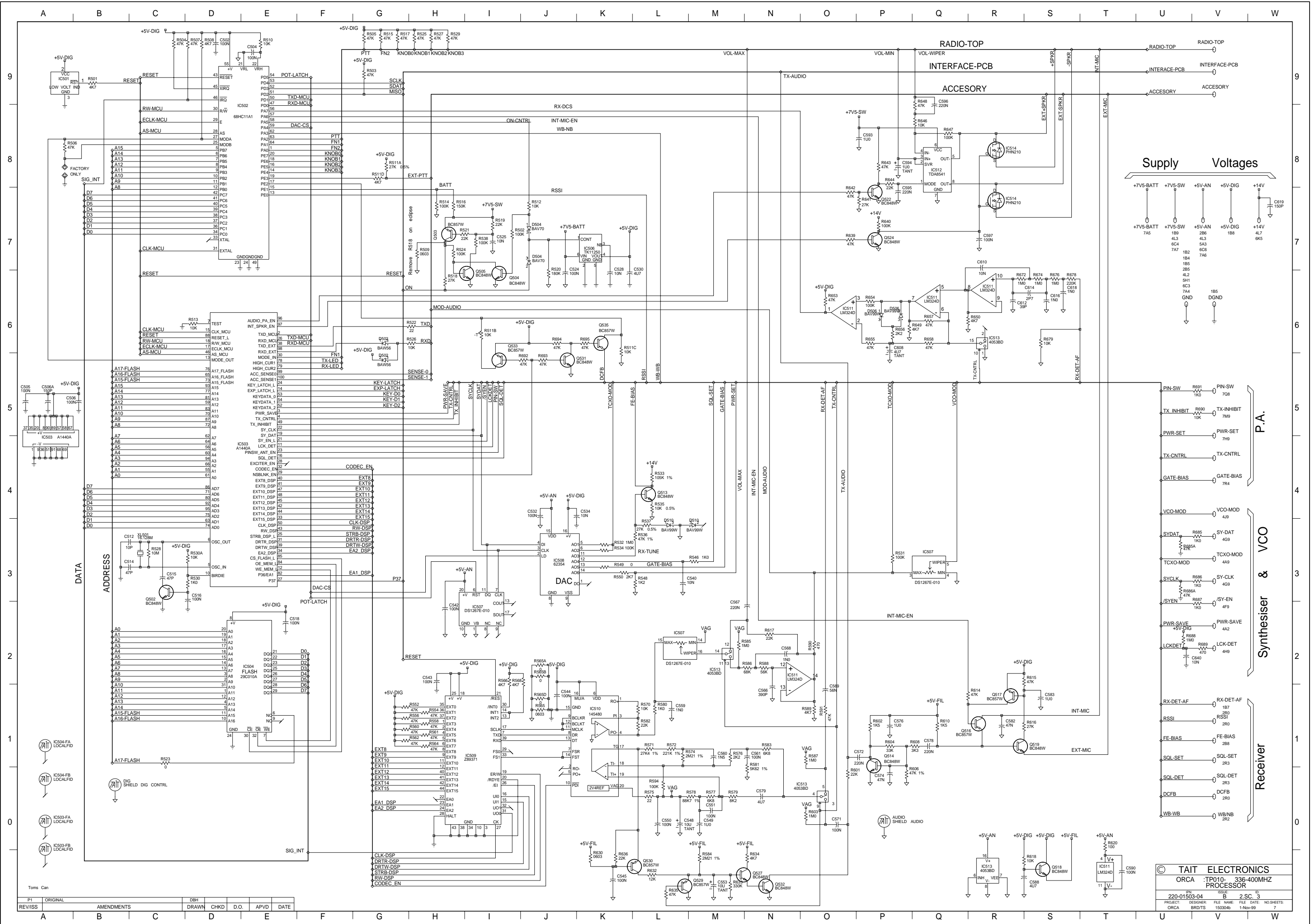


Variant Table

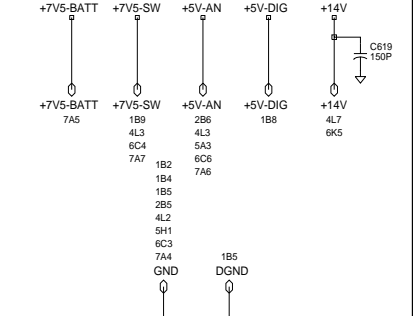
Part	NB	MB	WB
XF303	G		D
XF304	G		D
R349	-T	10k	NF
R350	2k7		NF
C370	27p		22P
C369	330P		330P
R390	330k		68k
R355	47k		22k

TAIT ELECTRONICS
 ORCA :TP010- 336-400MHZ RECEIVER
 IPN: 220-01503-04 ISSUE: B ID: 2.S.C. 2
 PROJECT: ORCA DESIGNER: BRD/TS FILE NAME: 150304b FILE DATE: 1-Nov-99 NO.SHEETS: 7

REV/ISS	AMENDMENTS	DRAWN	CHKD	D.O.	APVD	DATE



Supply Voltages



- PIN-SW 708
- TX-INHIBIT 709
- PWR-SET 709
- TX-CNTRL 709
- GATE-BIAS 704
- VCO-MOD 410
- SY-DAT 409
- TCXO-MOD 409
- SY-CLK 409
- SY-EN 409
- PWR-SAVE 409
- LCK-DET 409
- RX-DET-AF 280
- RSSI 280
- FE-BIAS 288
- SQL-SET 283
- SQL-DET 283
- DCFB 280
- WB-WB 282

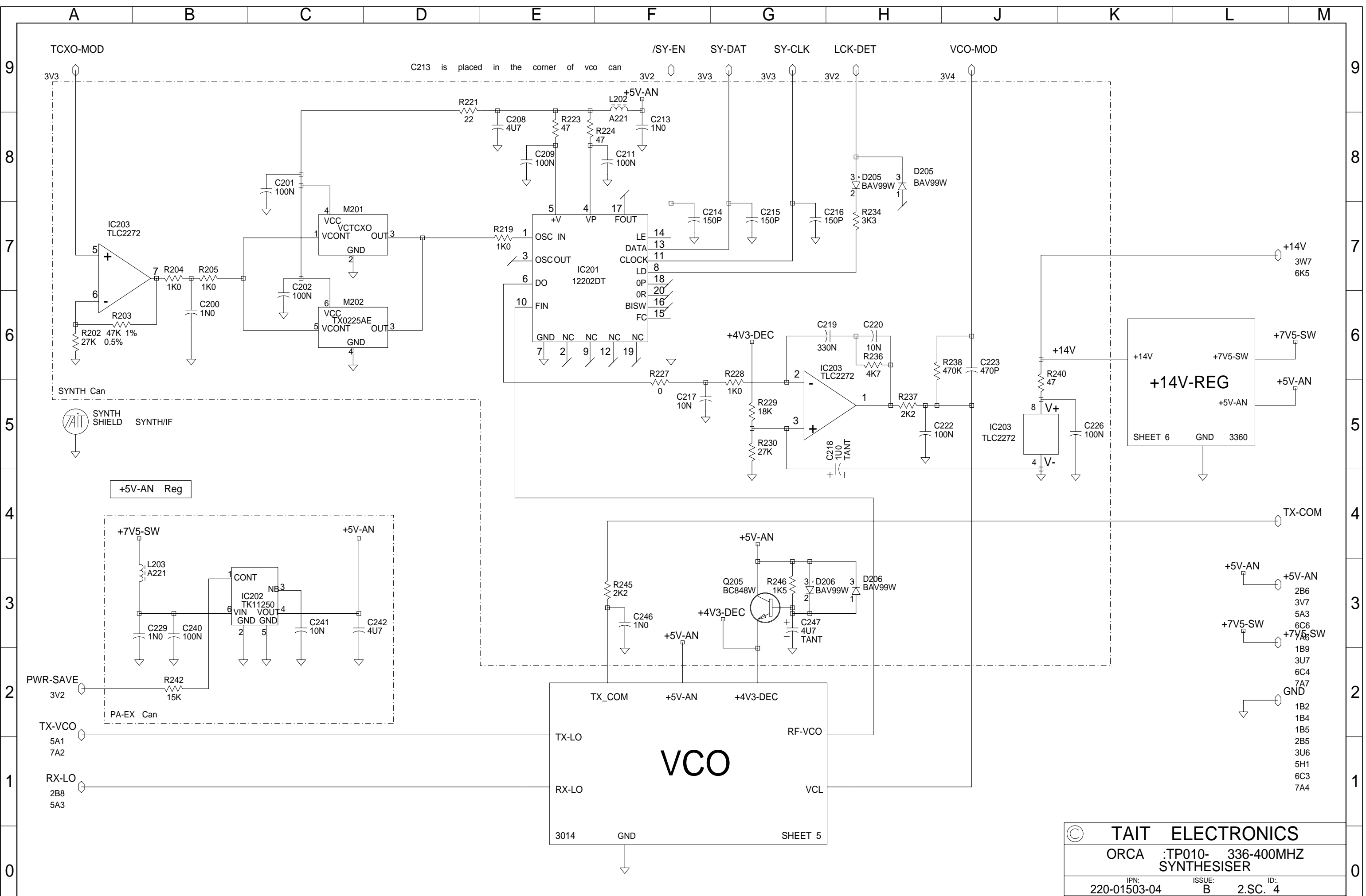
P.A.

Synthesiser & VCO

Receiver

© TAIT ELECTRONICS
 ORCA :TP010- 336-400MHZ
 PROCESSOR
 220-01503-04 B 2-SC-3
 PRODUCT DESIGNER FILE NAME FILE DATE NO SHEETS
 ORCA BRDTS 150304b 1-Nov-99 7

REV/ISS	ORIGINAL	AMENDMENTS	DRAWN	CHKD	D.O.	APVD	DATE
P1							



© TAIT ELECTRONICS
 ORCA :TP010- 336-400MHZ SYNTHESISER
 IPN: 220-01503-04 ISSUE: B ID: 2.SC. 4
 PROJECT: ORCA DESIGNER: BRD/TS FILE NAME: 150304b FILE DATE: 1-Nov-99 NO.SHEETS: 7

REV/ISS	AMENDMENTS	DRAWN	CHKD	D.O.	APVD	DATE

VCO
 3014 GND SHEET 5

+14V-REG
 SHEET 6 GND 3360

+5V-AN Reg

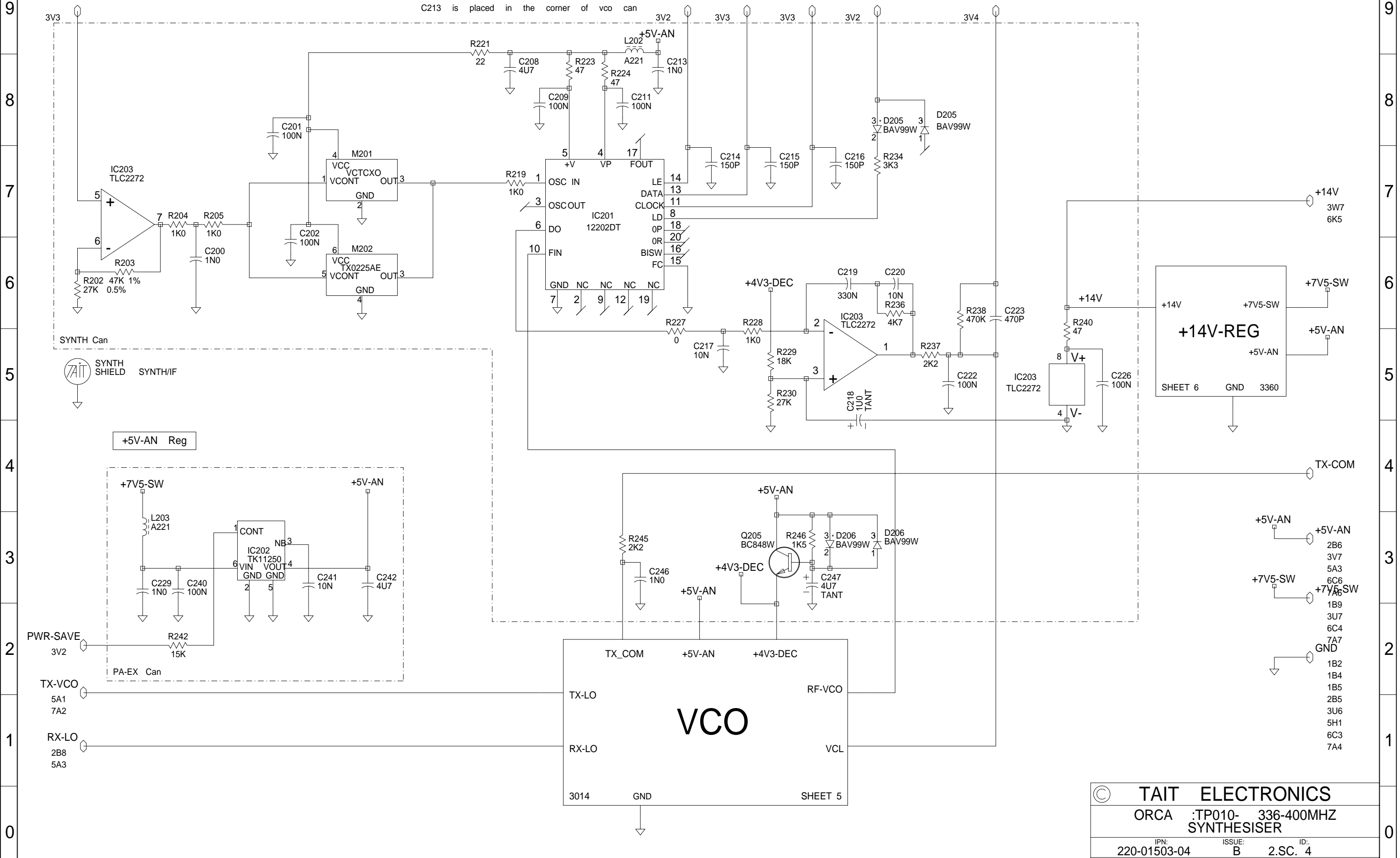
PA-EX Can

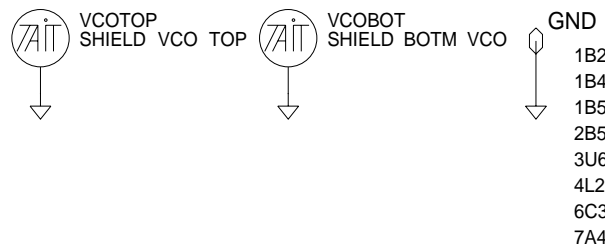
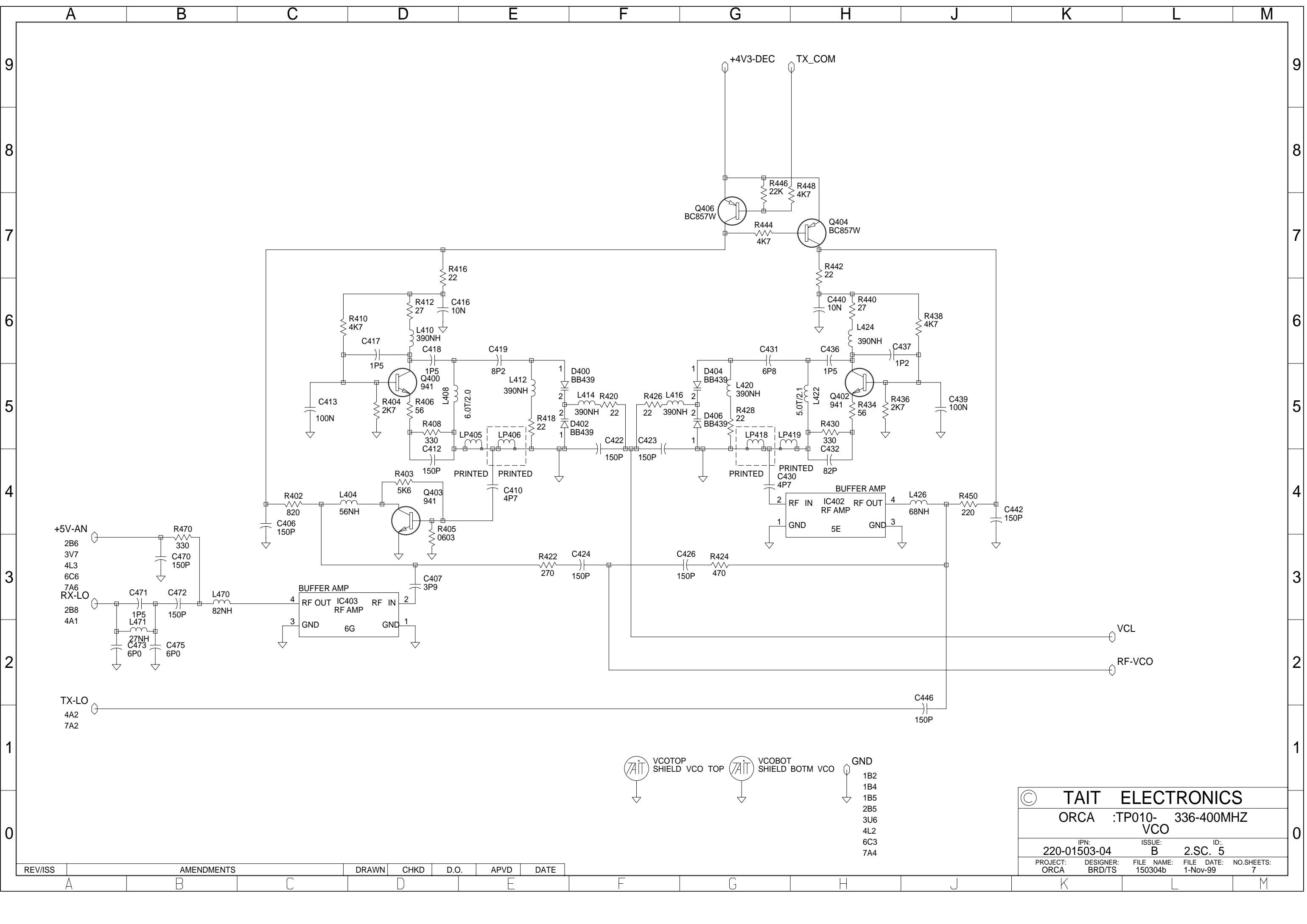
SYNTH Can
 TAIT SYNTH SHIELD SYNTH/IF

TCXO-MOD

/SY-EN SY-DAT SY-CLK LCK-DET VCO-MOD

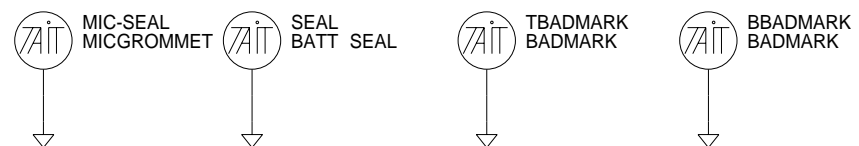
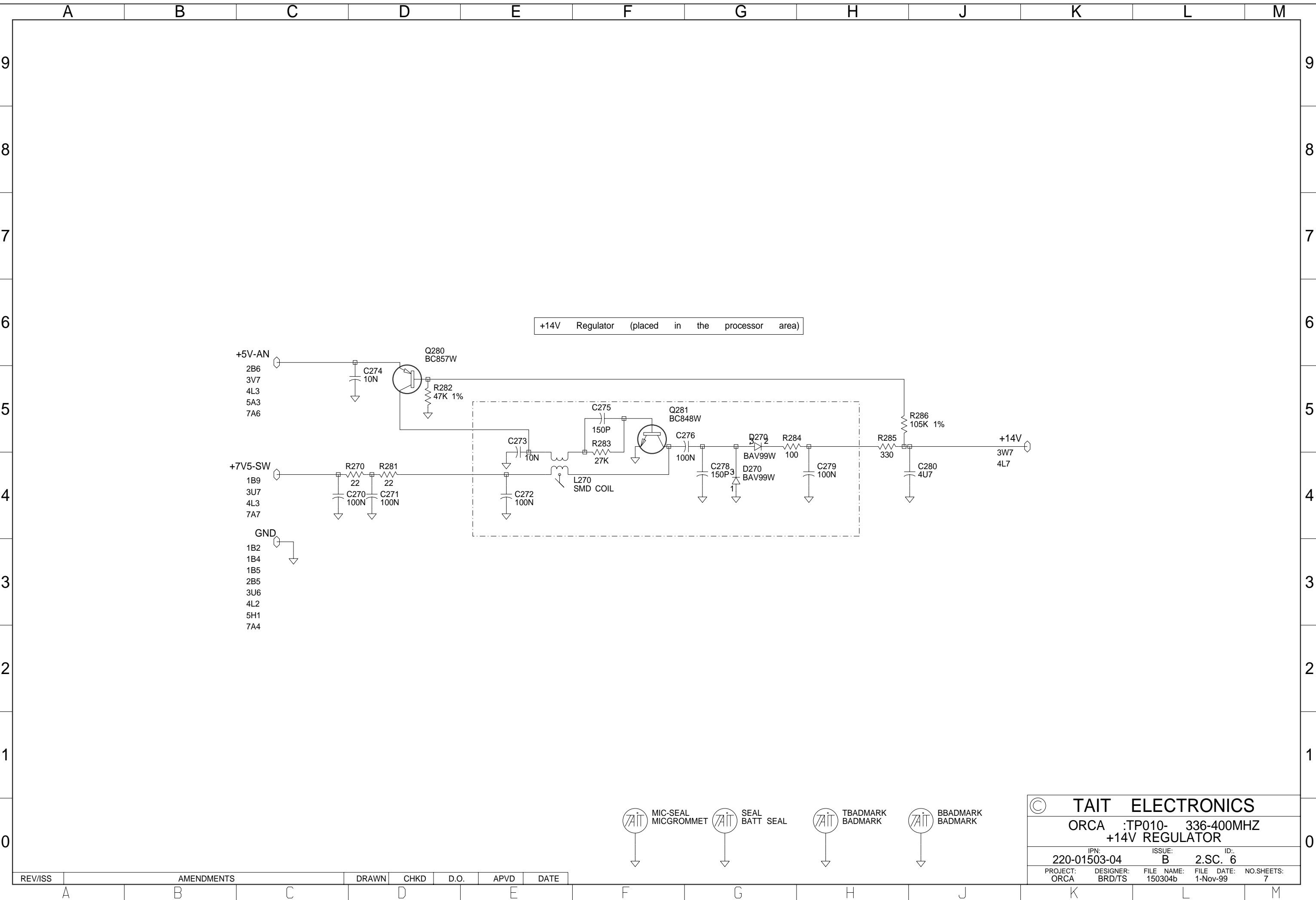
C213 is placed in the corner of vco can





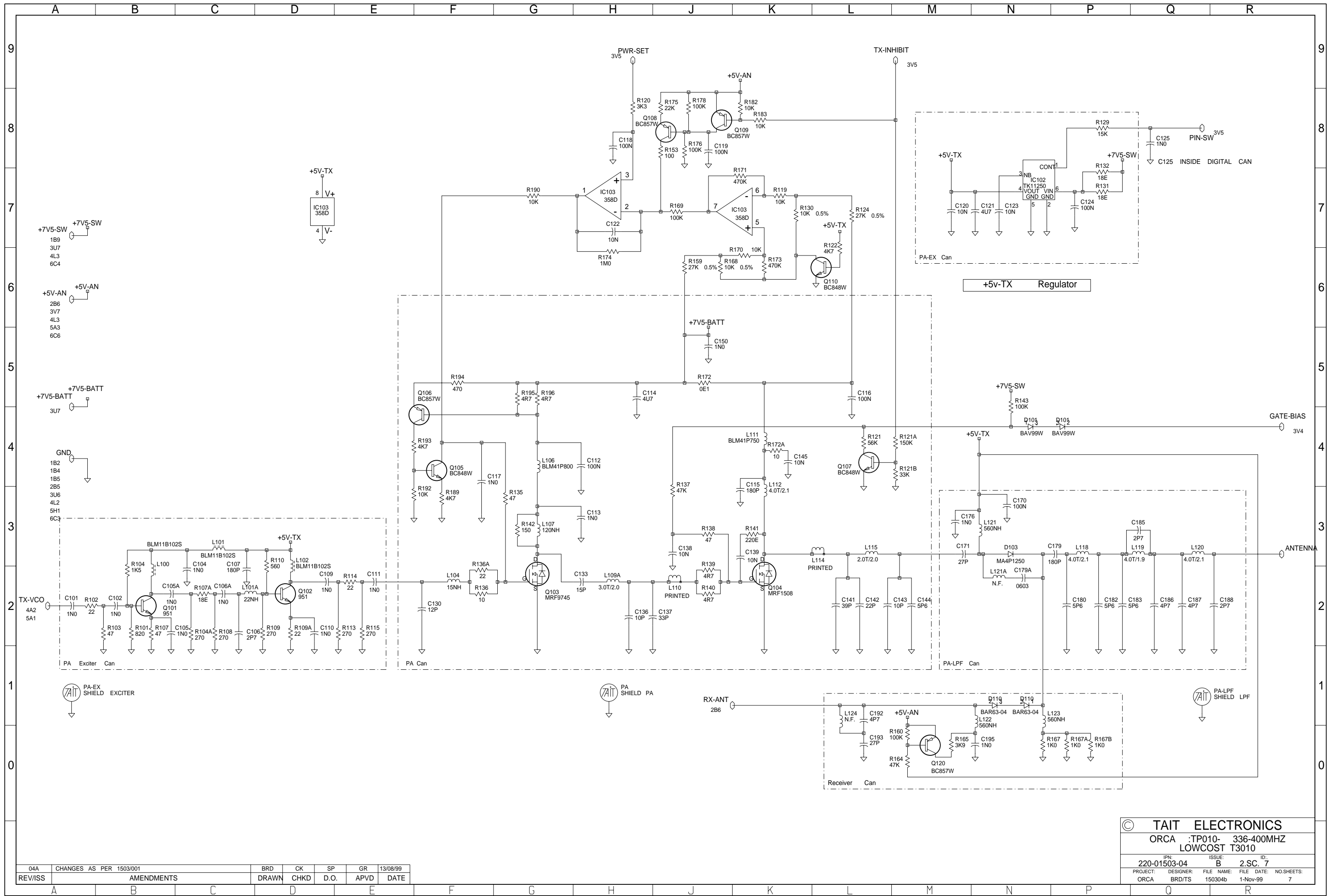
© TAIT ELECTRONICS				
ORCA		:TP010-		336-400MHZ
VCO				
IPN:	ISSUE:	ID:		
220-01503-04	B	2.SC.		5
PROJECT:	DESIGNER:	FILE NAME:	FILE DATE:	NO.SHEETS:
ORCA	BRD/TS	150304b	1-Nov-99	7

REV/ISS	AMENDMENTS	DRAWN	CHKD	D.O.	APVD	DATE



© TAIT ELECTRONICS				
ORCA :TP010- 336-400MHZ +14V REGULATOR				
IPN: 220-01503-04		ISSUE: B		ID: 2.SC. 6
PROJECT: ORCA	DESIGNER: BRD/TS	FILE NAME: 150304b	FILE DATE: 1-Nov-99	NO.SHEETS: 7

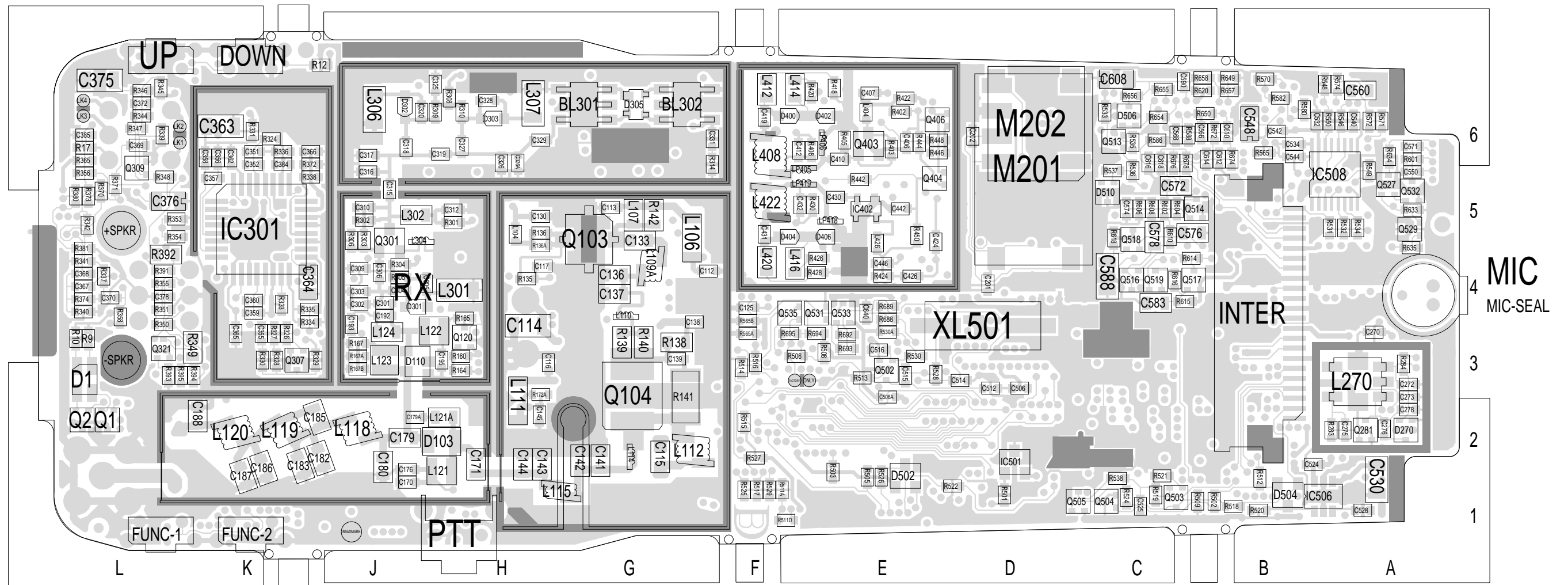
REV/ISS	AMENDMENTS	DRAWN	CHKD	D.O.	APVD	DATE
---------	------------	-------	------	------	------	------



04A	CHANGES AS PER 1503/001	BRD	CK	SP	GR	13/08/99
REV/ISS	AMENDMENTS	DRAWN	CHKD	D.O.	APVD	DATE

© TAIT ELECTRONICS
 ORCA :TP010- 336-400MHZ
 LOWCOST T3010

IPN: 220-01503-04 ISSUE: B ID: 2.S.C. 7
 PROJECT: ORCA DESIGNER: BRD/TS FILE NAME: 150304b FILE DATE: 1-Nov-99 NO.SHEETS: 7



TAIT ELECTRONICS IPN: 220-01503-04 ISS: -04A ID: 6.BA DATE: 19 Aug 1999
 SUB UHF PCB LAYOUT - BOTTOM SIDE

Scale: 2.3:1 ; Rotation: 0 degrees